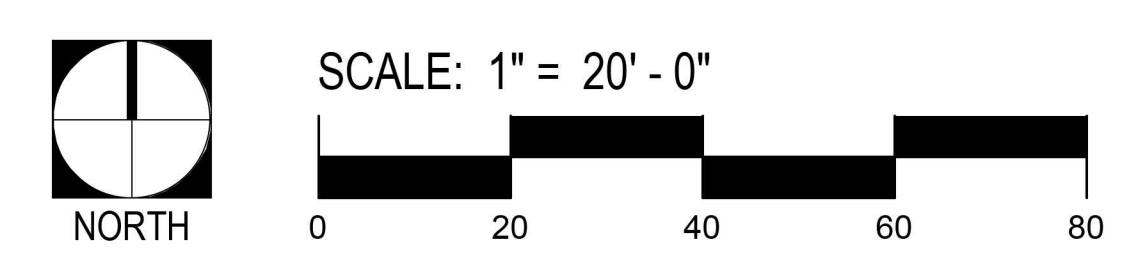


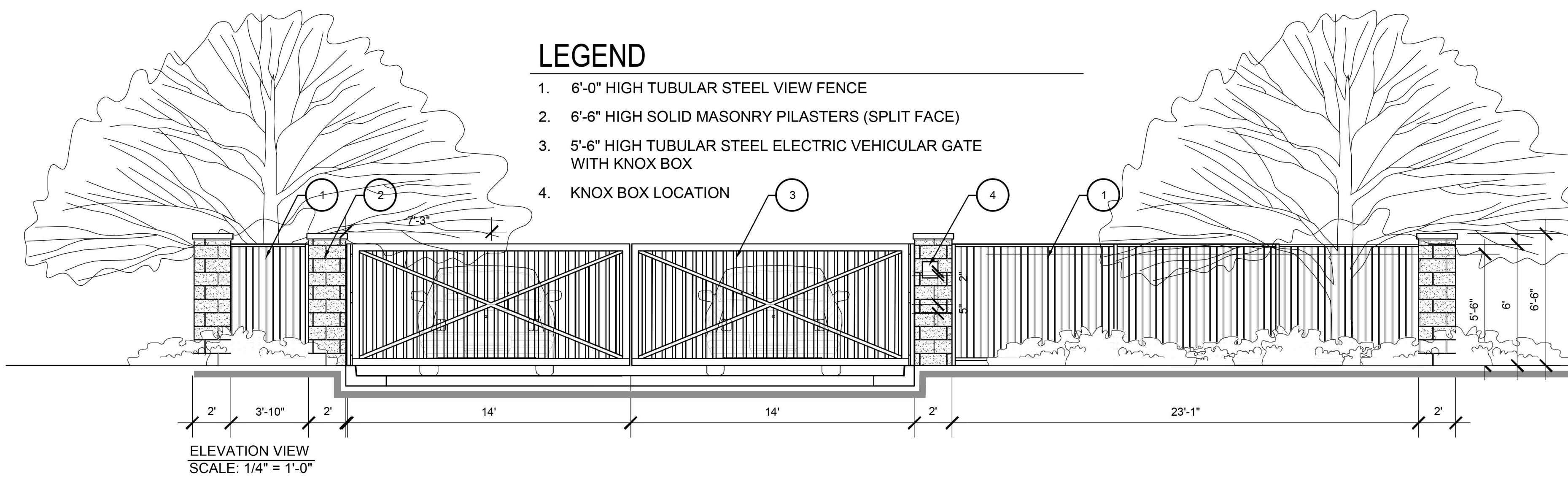
- WALL AND FENCE LEGEND:**
- 6'-0" HIGH SOLID MASONRY PERIMETER COMMUNITY WALL ON RETAINING WALL (SPLIT FACE)
 - 36" HIGH VINYL PATIO FENCE
 - 6'-0" HIGH SOLID MASONRY SIGN MONUMENT WALL (SPLIT FACE)
 - 6'-0" HIGH TUBULAR STEEL VIEW FENCE ON RETAINING WALL (SPLIT FACE)
 - 6'-0" HIGH TUBULAR STEEL VIEW FENCE
 - S 5'-6" HIGH TUBULAR STEEL VEHICULAR GATE WITH KNOX BOX
 - 5'-6" HIGH TUBULAR VEHICULAR EVA STEEL GATE WITH KNOX BOX
 - 18" HIGH CEDAR WOOD PLANTER
 - 6'-6" HIGH SOLID MASONRY PILASTERS (SPLIT FACE)
 - 36" HIGH PEDESTRIAN VINYL PATIO GATE
 - 6'-0" HIGH TUBULAR PEDESTRIAN TUBE STEEL GATE
 - 4'-0" VINYL SCREEN FENCE & GATE FOR 65 GAL FOOD WASTE CART
 - 5'-0" HIGH SOLID MASONRY ENTRY CALLBOX (SPLIT FACE)

NEC FOOTHILL & SPRUCE | Preliminary Landscape Site Plan | Wall & Fence Plan

Warmington Homes | Rialto, CA | September 16, 2024



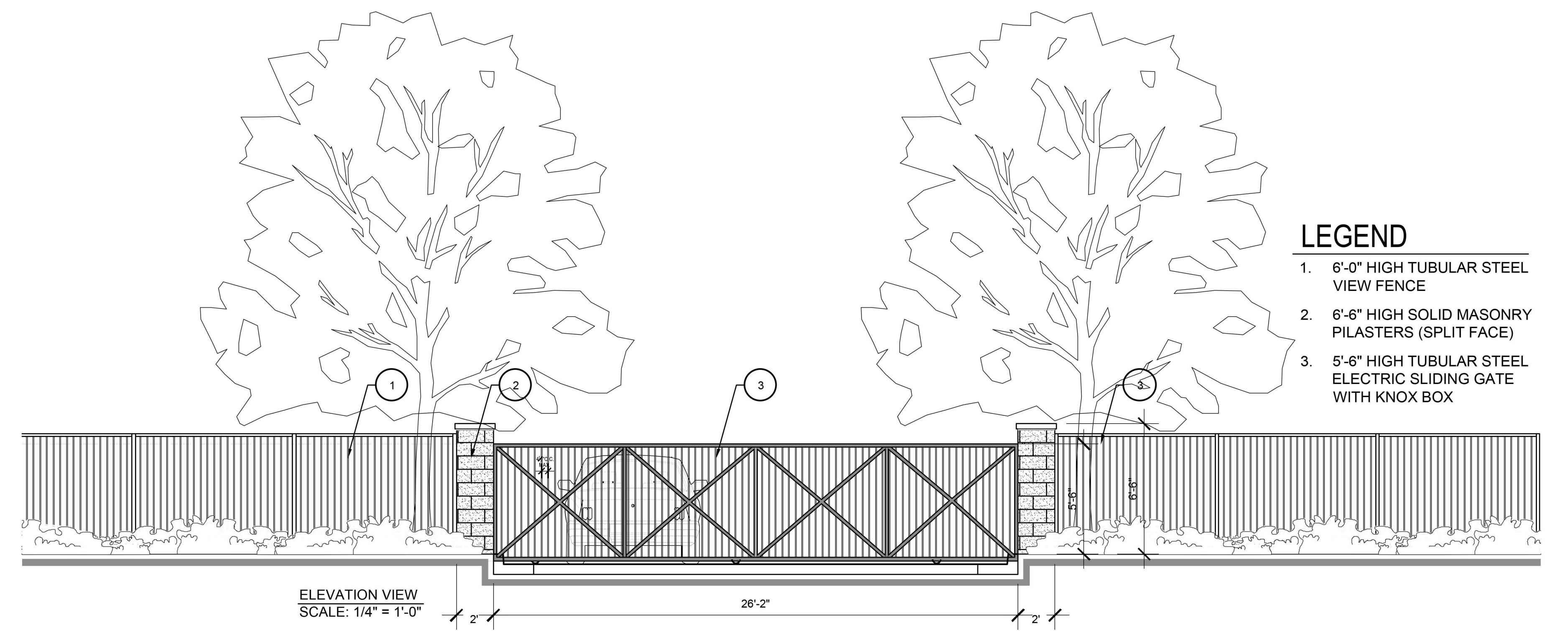
SMP
ENVIRONMENTAL DESIGN
SUMMERS/MURPHY & PARTNERS, INC.
34197 COAST HWY SUITE 200
DANA POINT CA 92629
(949) 443-1446



LEGEND

1. 6'-0" HIGH TUBULAR STEEL VIEW FENCE
2. 6'-6" HIGH SOLID MASONRY PILASTERS (SPLIT FACE)
3. 5'-6" HIGH TUBULAR STEEL ELECTRIC VEHICULAR GATE WITH KNOX BOX
4. KNOX BOX LOCATION

ELEVATION VIEW
SCALE: 1/4" = 1'-0"



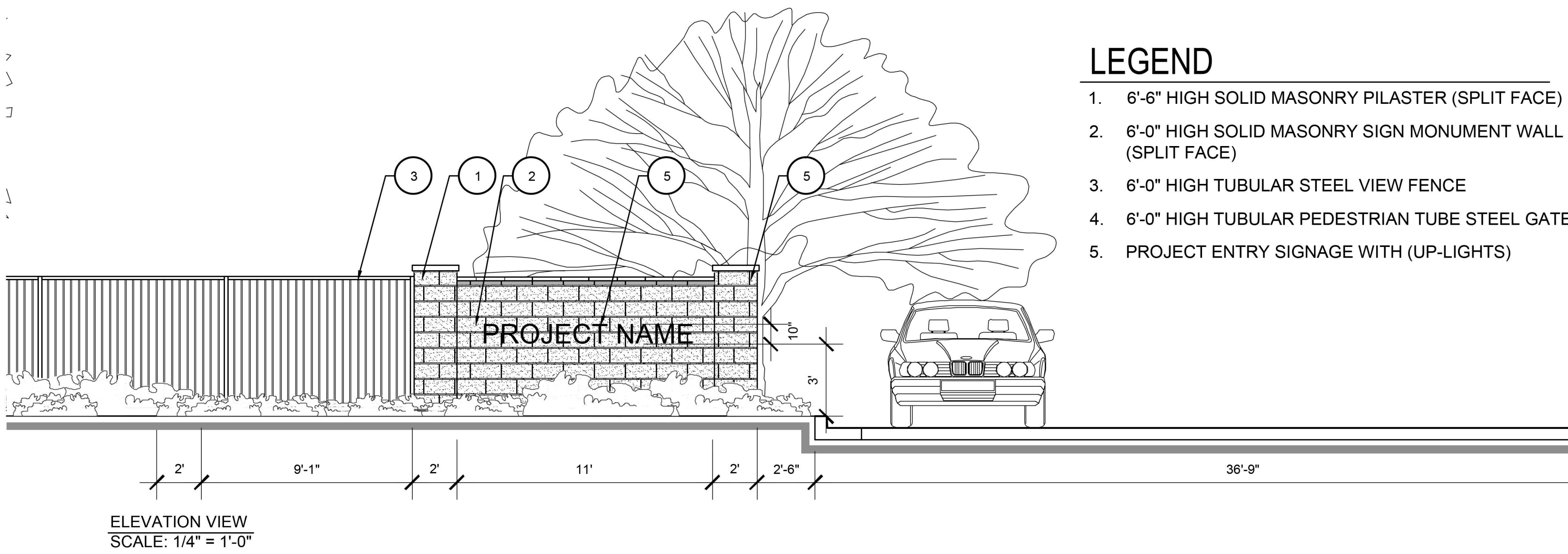
LEGEND

1. 6'-0" HIGH TUBULAR STEEL VIEW FENCE
2. 6'-6" HIGH SOLID MASONRY PILASTERS (SPLIT FACE)
3. 5'-6" HIGH TUBULAR STEEL ELECTRIC SLIDING GATE WITH KNOX BOX

ELEVATION VIEW
SCALE: 1/4" = 1'-0"

ELECTRIC VEHICULAR ENTRY GATE (WITH KNOX BOX ACCESS /OVERRIDE) SCALE: 1/4" = 1'-0"

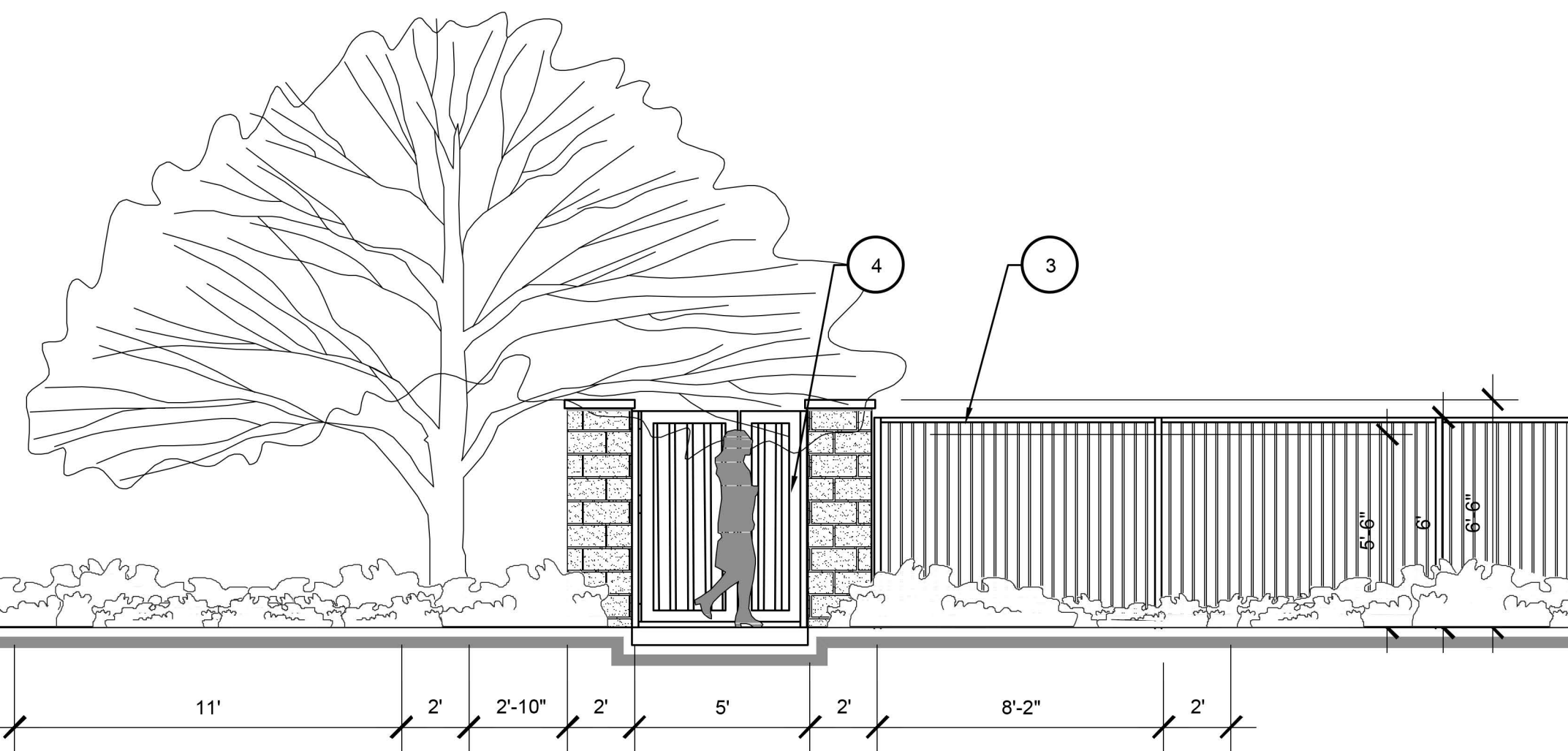
ELECTRIC EMERGENCY VEHICLE ACCESS SLIDING GATE (WITH KNOX BOX ACCESS OVERRIDE) SCALE: 1/4" = 1'-0"



LEGEND

1. 6'-6" HIGH SOLID MASONRY PILASTER (SPLIT FACE)
2. 6'-0" HIGH SOLID MASONRY SIGN MONUMENT WALL (SPLIT FACE)
3. 6'-0" HIGH TUBULAR STEEL VIEW FENCE
4. 6'-0" HIGH TUBULAR PEDESTRIAN TUBE STEEL GATE
5. PROJECT ENTRY SIGNAGE WITH (UP-LIGHTS)

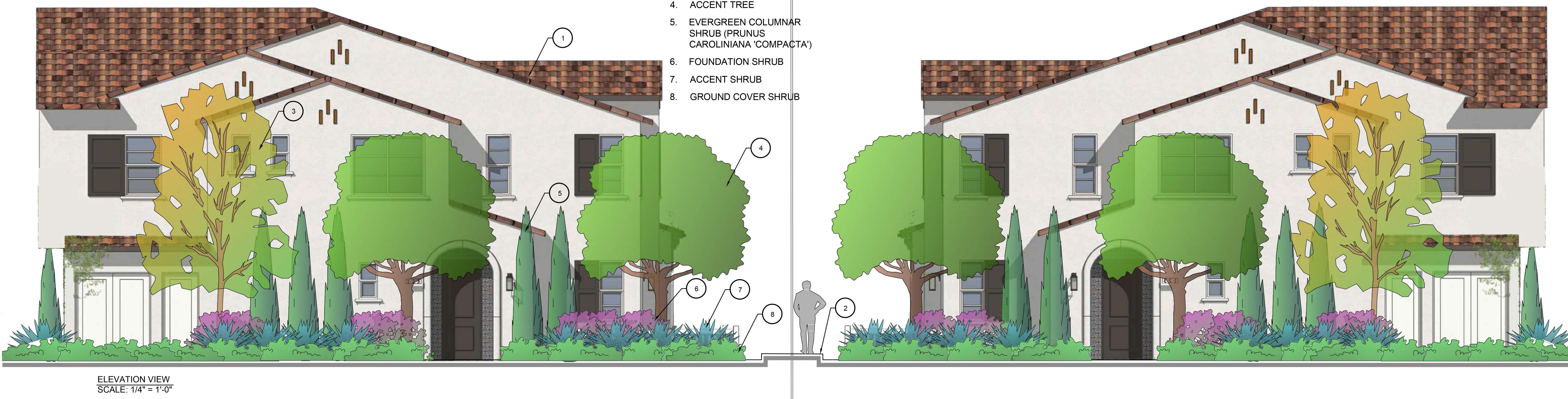
ELEVATION VIEW
SCALE: 1/4" = 1'-0"



ENTRY SIGN MONUMENT SCALE: 1/2" = 1'-0"

LEGEND

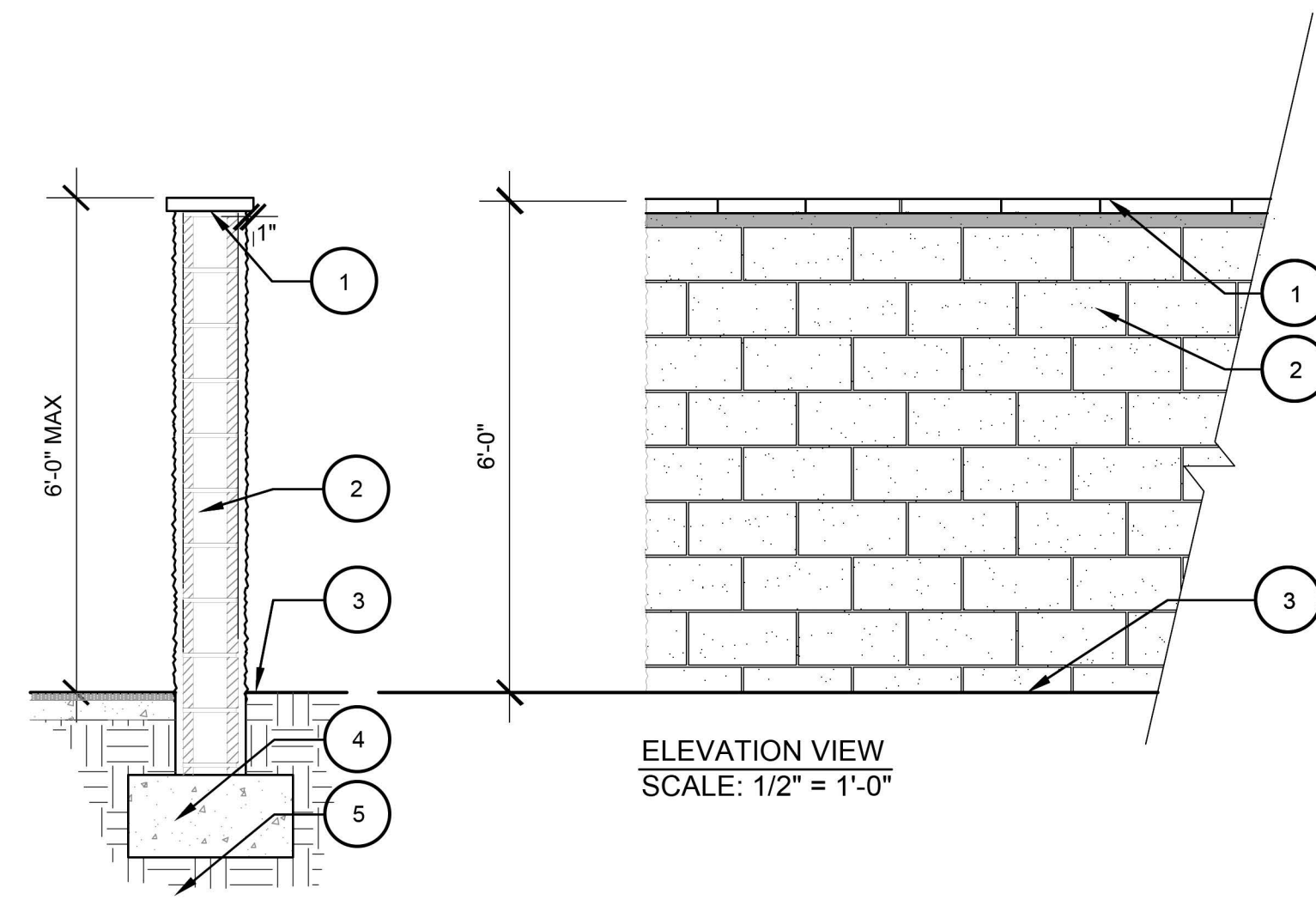
1. ARCHITECTURE BUILDING
2. PASEO WALK
3. STREET TREE
4. ACCENT TREE
5. EVERGREEN COLUMNAR SHRUB (PRUNUS CAROLINIANA 'COMPACTA')
6. FOUNDATION SHRUB
7. ACCENT SHRUB
8. GROUND COVER SHRUB



ELEVATION VIEW
SCALE: 1/4" = 1'-0"

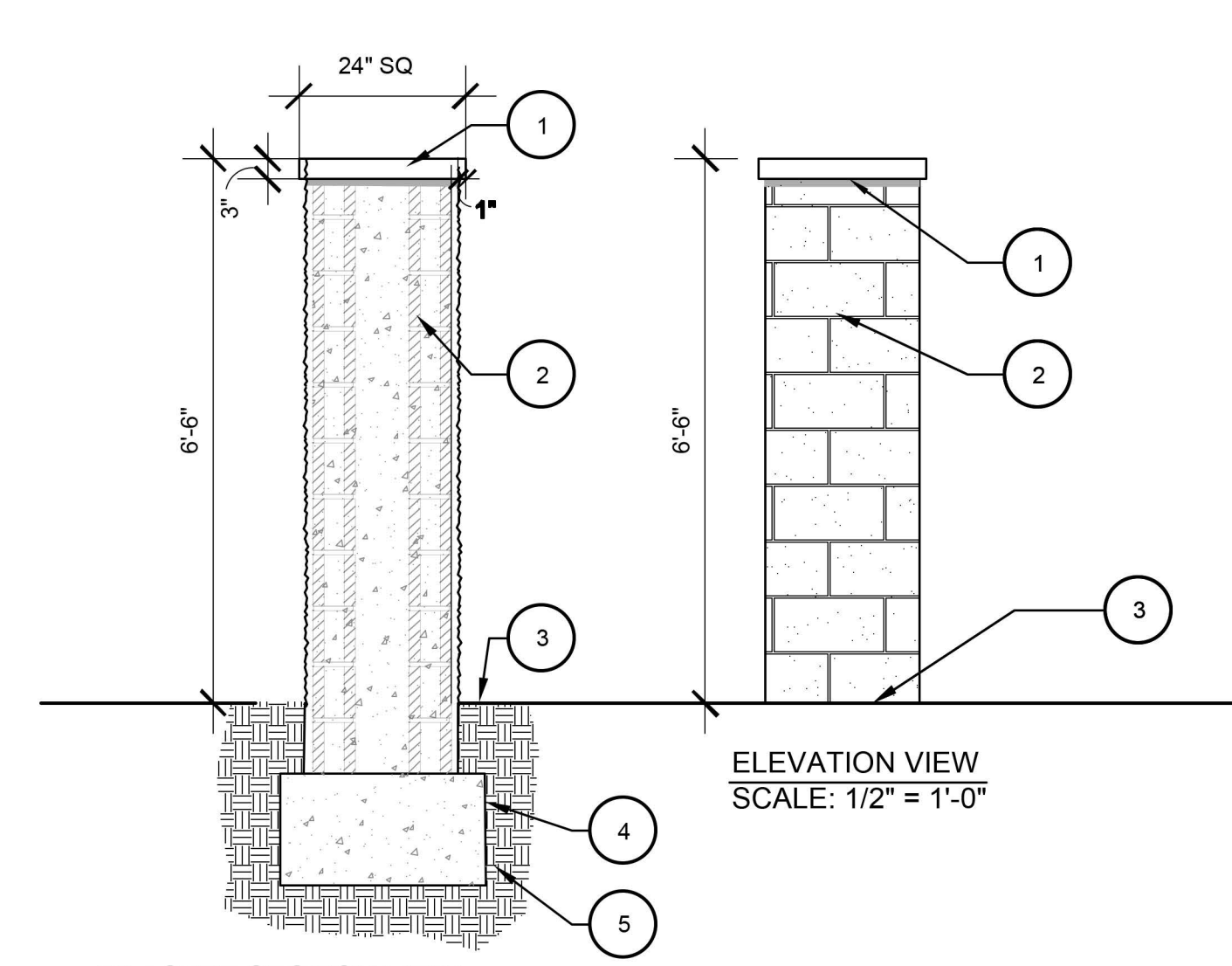
ENTRY PLANTING ELEVATION SCALE: 1/4" = 1'-0"

NEC FOOTHILL & SPRUCE | Preliminary Landscape Details | Wall & Fence Elevations



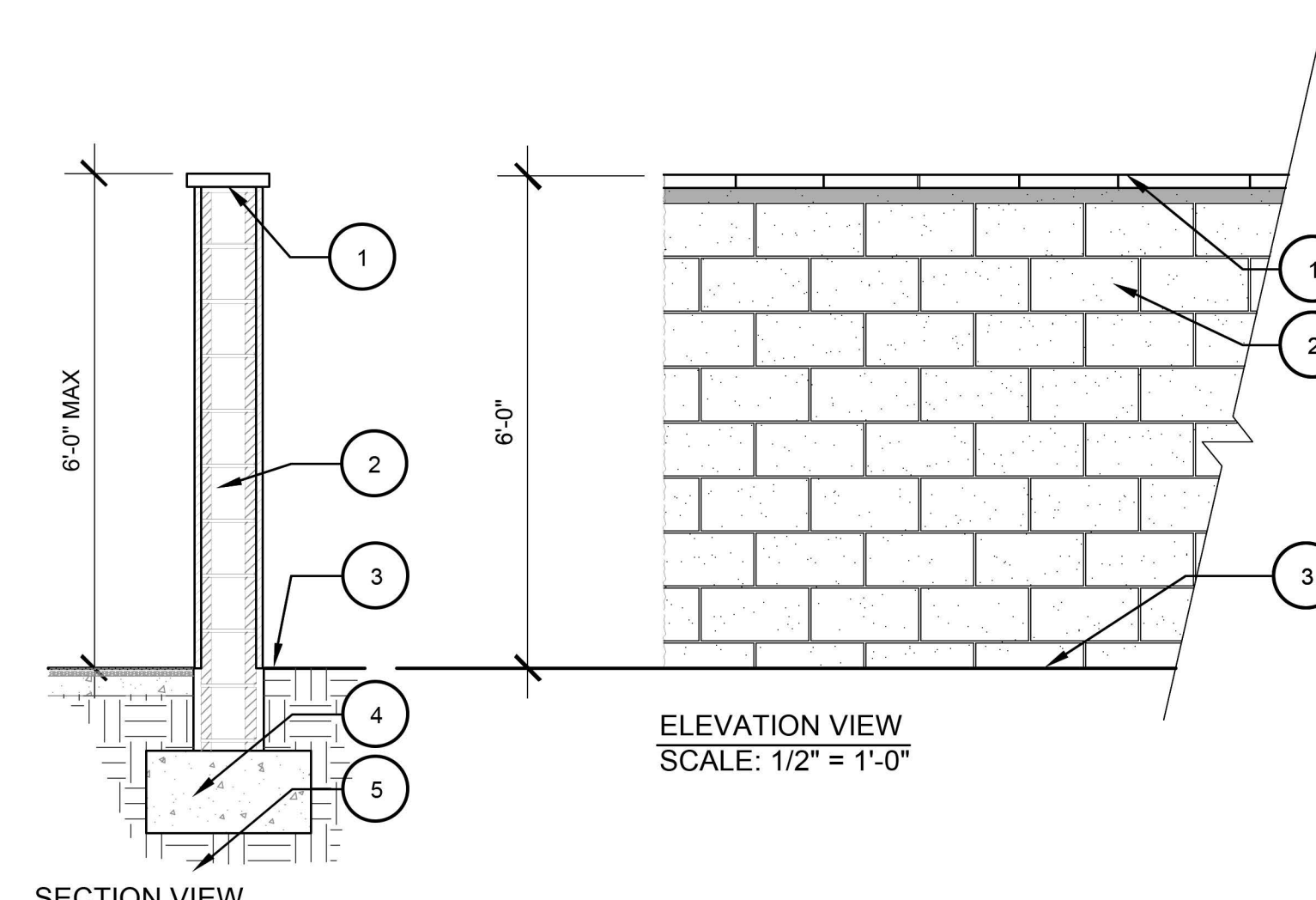
SECTION VIEW
SCALE: 1/2" = 1'-0"

- LEGEND**
- 2" PRECISION WALL CAP (TYP)
 - 8X6X16 COLORED CMU SPLIT FACE BLOCK WALL
 - FINISH GRADE
 - CONCRETE FOOTING
 - COMPACT SUBGRADE
- NOTE:**
- WALL TO BE ON TOP OF RETAINING WALL



PILASTER SECTION VIEW
SCALE: 1/2" = 1'-0"

- LEGEND**
- 3" PRECAST CONCRETE PILASTER CAP
 - 6"x8"x16" CMU SPLIT FACE BLOCK PILASTER
 - FINISH GRADE
 - CONCRETE FOOTING
 - COMPACT SUBGRADE



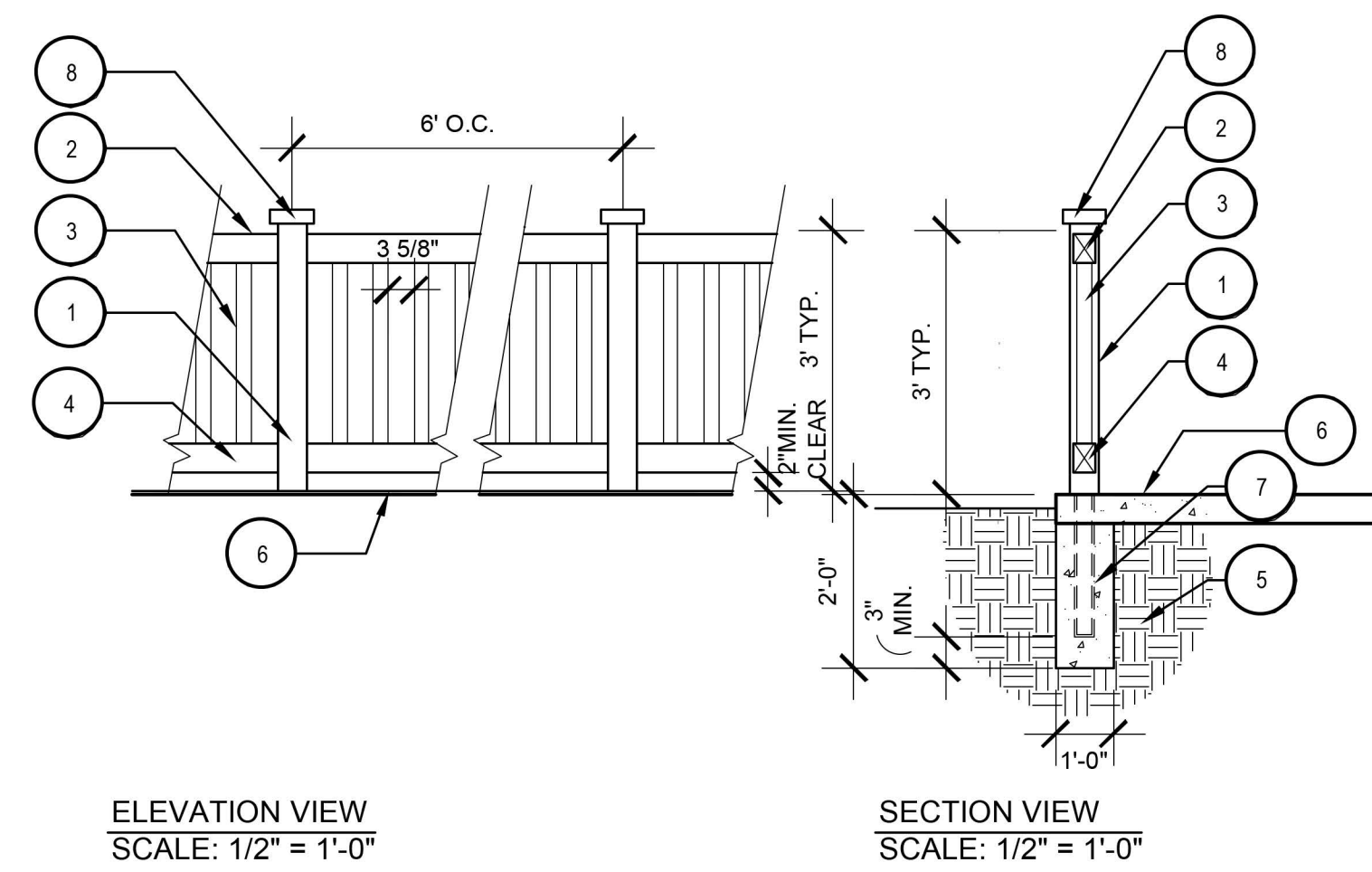
SECTION VIEW
SCALE: 1/2" = 1'-0"

- LEGEND**
- 2" PRECISION WALL CAP (TYP)
 - 8X6X16 CMU SPLIT FACE BLOCK WALL
 - FINISH GRADE
 - CONCRETE FOOTING
 - COMPACT SUBGRADE

6'-0" HIGH SOLID MASONRY PERIMETER COMMUNITY WALL (SPLIT FACE)
SCALE: 1/2" = 1'-0"

6'-6" HIGH SOLID MASONRY PILASTERS (SPLIT FACE)
SCALE: 1/2" = 1'-0"

6'-0" HIGH SOLID MASONRY SIGN MONUMENT WALL
SCALE: 1/2" = 1'-0"

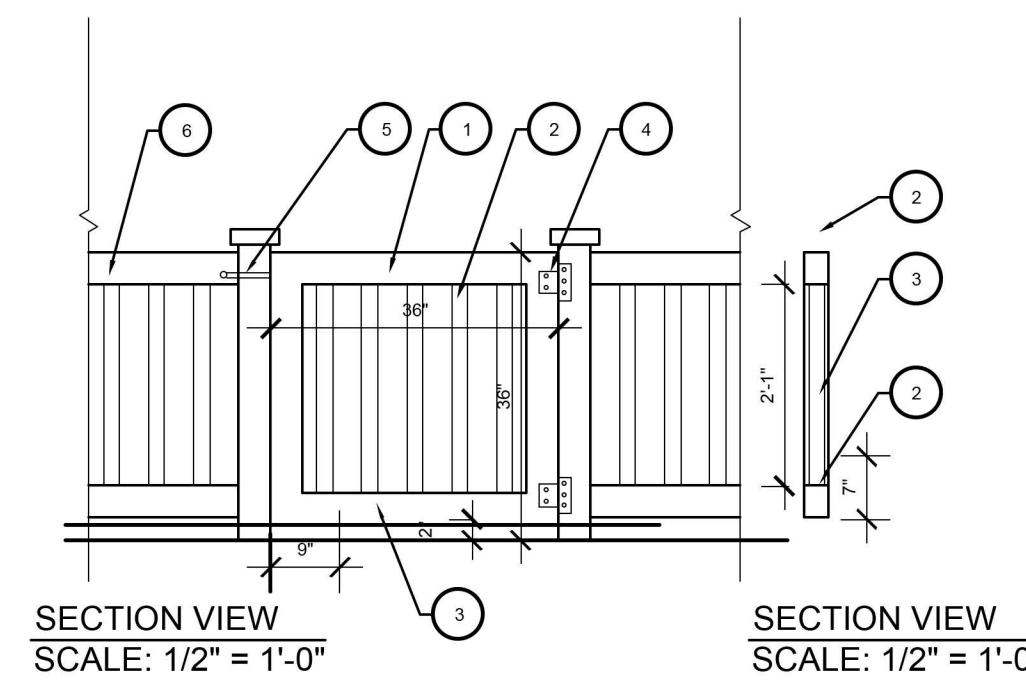


ELEVATION VIEW
SCALE: 1/2" = 1'-0"

SECTION VIEW
SCALE: 1/2" = 1'-0"

- LEGEND**
- 4"x4" SQ. VINYL POST
 - 3"x4" SQ. TOP RAIL
 - 2"x2" SQ. TONGUE & GROVE @ 3/8" OPENING
 - 3"x4" SQ. BOTTOM RAIL
 - COMPACTED SUBGRADE
 - FINISH SURFACE SINK POST INTO FOOTING
 - CONCRETE FOOTING
 - 2"x6" VINYL CHAMFER CAP

36" HIGH VINYL PATIO FENCE
SCALE: 1/2" = 1'-0"

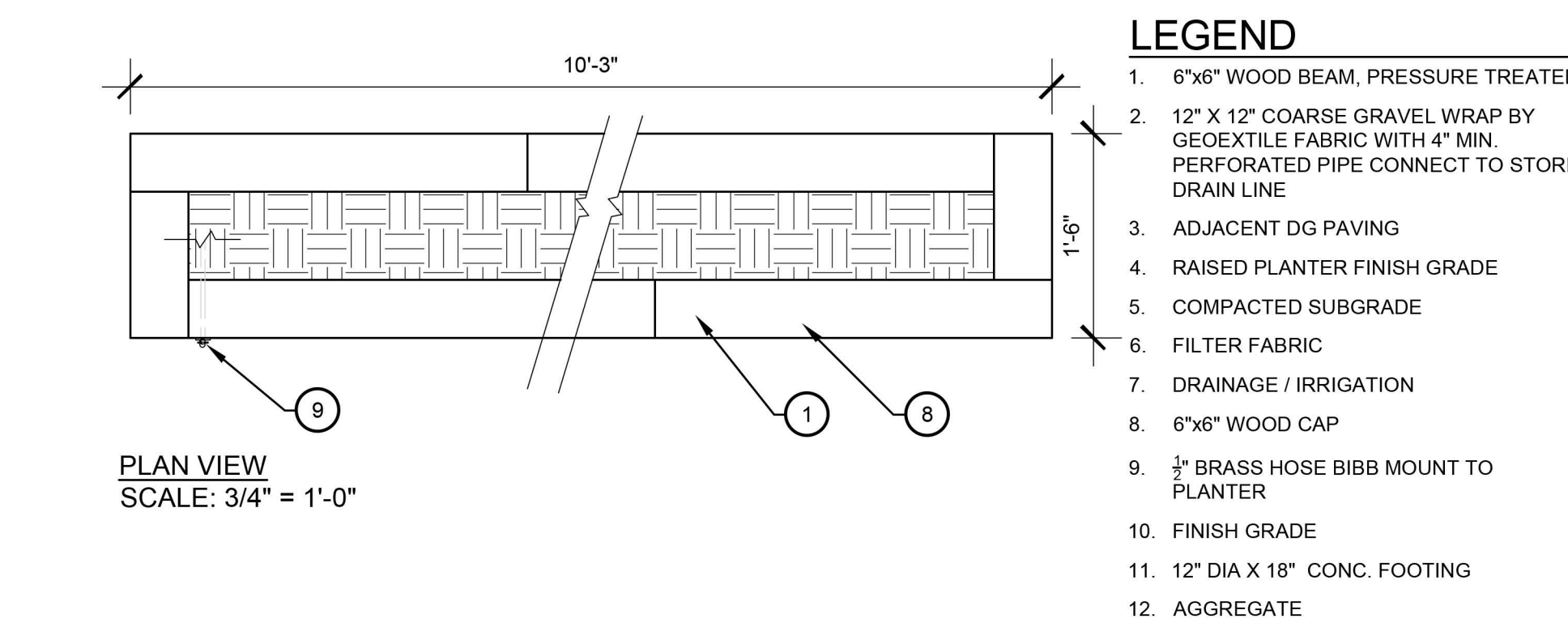


SECTION VIEW
SCALE: 1/2" = 1'-0"

SECTION VIEW
SCALE: 1/2" = 1'-0"

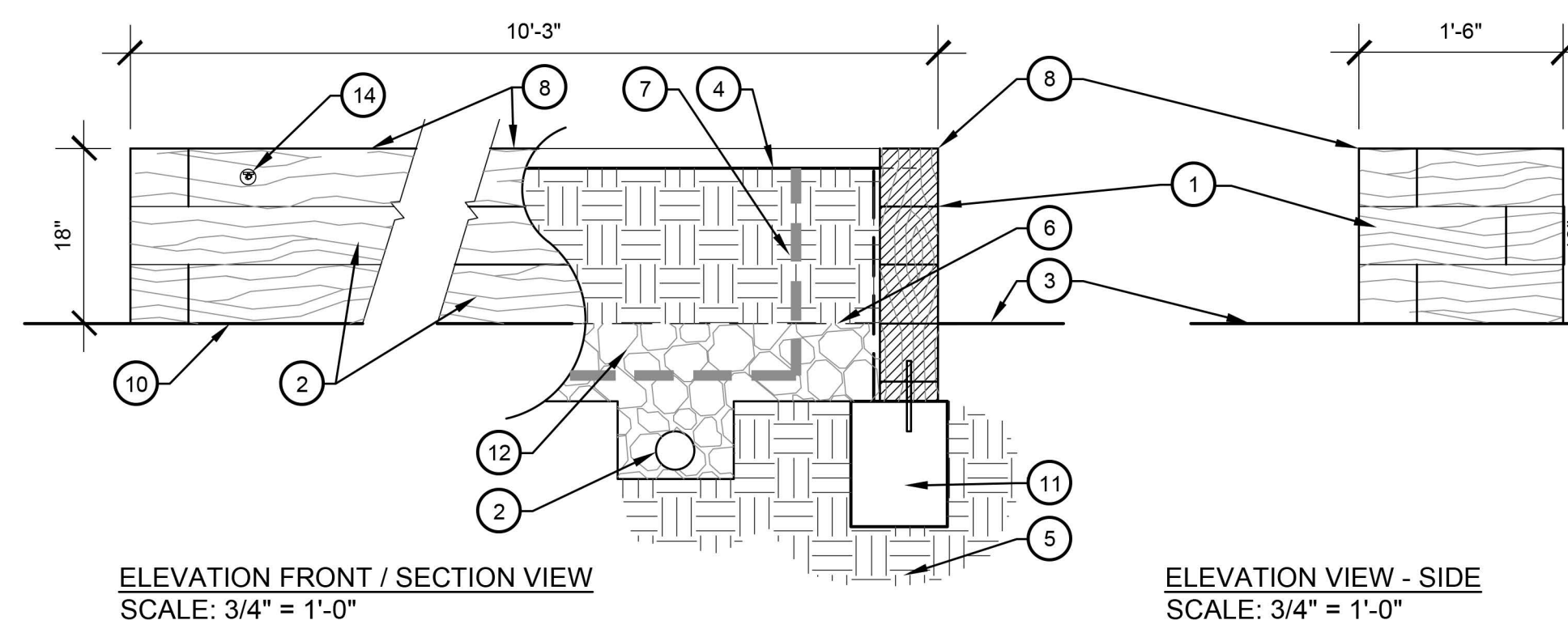
- LEGEND**
- 4"x4" PVC TOP AND BOTTOM RAILS
 - 2"x2" T&G PVC BOARD
 - 4"x4" PVC UPRIGHT
 - T-HINGE
 - LATCH
 - ADJACENT VINYL WALL

36" HIGH PEDESTRIAN VINYL PATIO GATE
SCALE: 1/2" = 1'-0"



PLAN VIEW
SCALE: 3/4" = 1'-0"

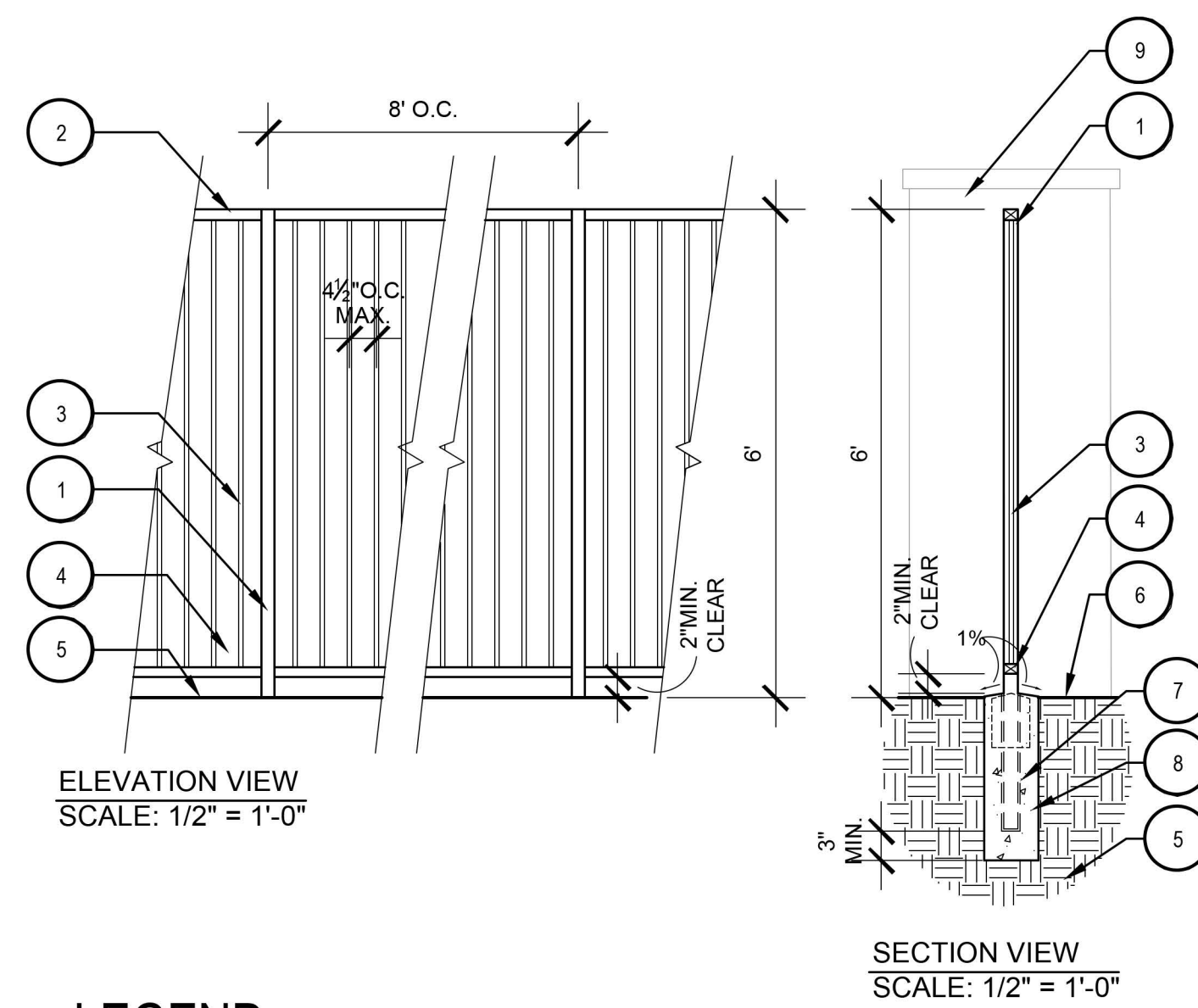
- LEGEND**
- 6"x6" WOOD BEAM, PRESSURE TREATED
 - 12" X 12" COARSE GRAVEL WRAP BY GEOTEXTILE FABRIC WITH 4" MIN. PERFORATED PIPE CONNECT TO STORM DRAIN LINE
 - ADJACENT DG PAVING
 - RAISED PLANTER FINISH GRADE
 - COMPACTED SUBGRADE
 - FILTER FABRIC
 - DRAINAGE / IRRIGATION
 - 6"x6" WOOD CAP
 - 3/4" BRASS HOSE BIBB MOUNT TO PLANTER
 - FINISH GRADE
 - 12" DIA X 18" CONC. FOOTING
 - AGGREGATE



ELEVATION FRONT / SECTION VIEW
SCALE: 3/4" = 1'-0"

ELEVATION VIEW - SIDE
SCALE: 3/4" = 1'-0"

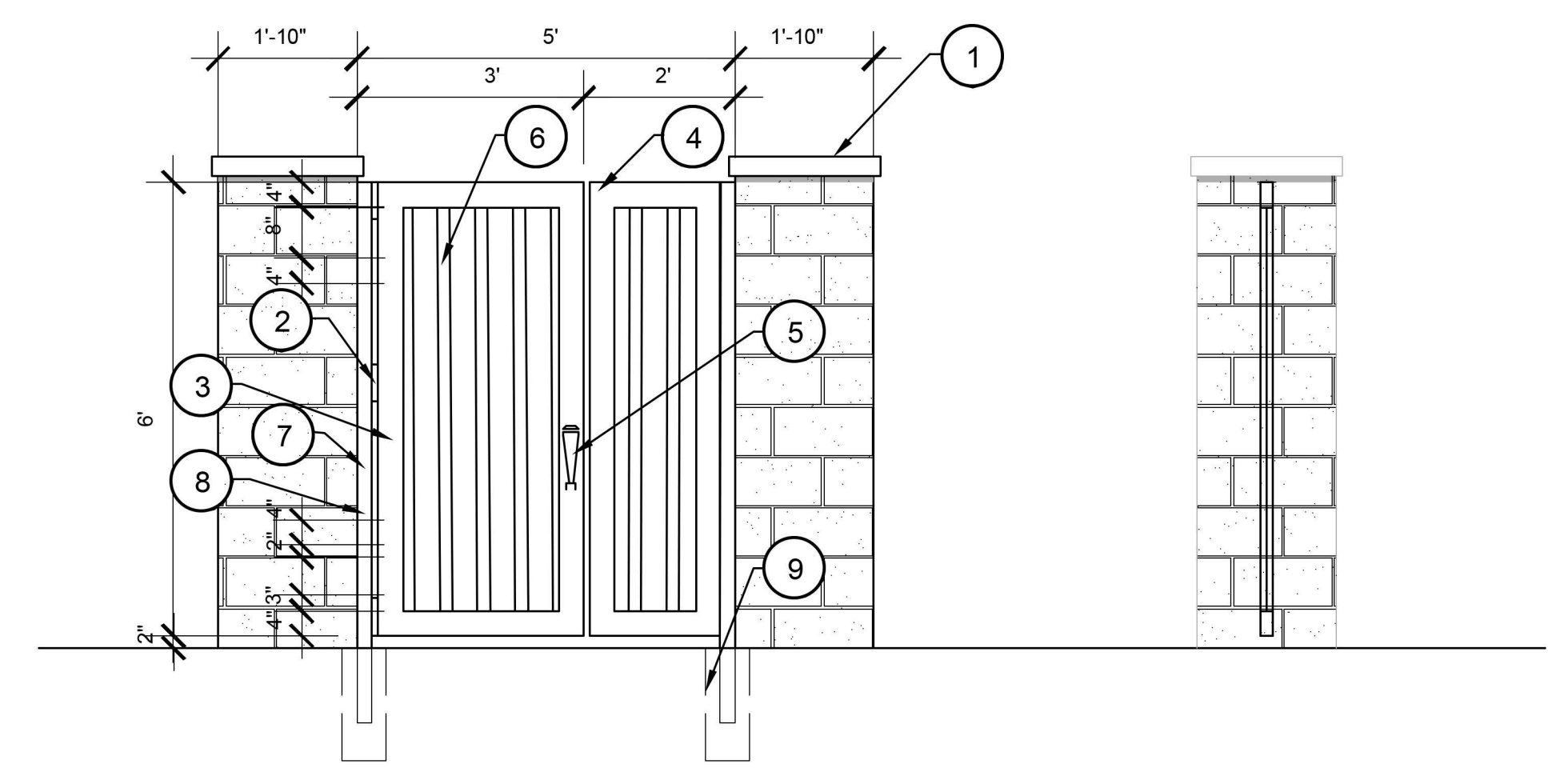
18" HIGH CEDAR WOOD PLANTER
SCALE: 1/2" = 1'-0"



LEGEND

- | | |
|---|--------------------------------------|
| 1. 1-1/2" x 2" 16 GA. TUBULAR STEEL POST | 6. FINISH GRADE |
| 2. 1 1/2" SQ. TUBULAR STEEL TOP RAIL | 7. SINK POST INTO FOOTING |
| 3. 3/4" SQ. TUBULAR STEEL PICKETS @ 4 1/2" MAXIMUM O.C. | 8. CONCRETE FOOTING - PER STRUCTURAL |
| 4. 1 1/2" SQ. TUBULAR STEEL BOTTOM RAIL | 9. ADJACENT PILASTER |
| 5. COMPACTED SUBGRADE - PER GEOTECHNICAL | NOTES: |
| | FENCE TO BE ON TOP OF RETAINING WALL |

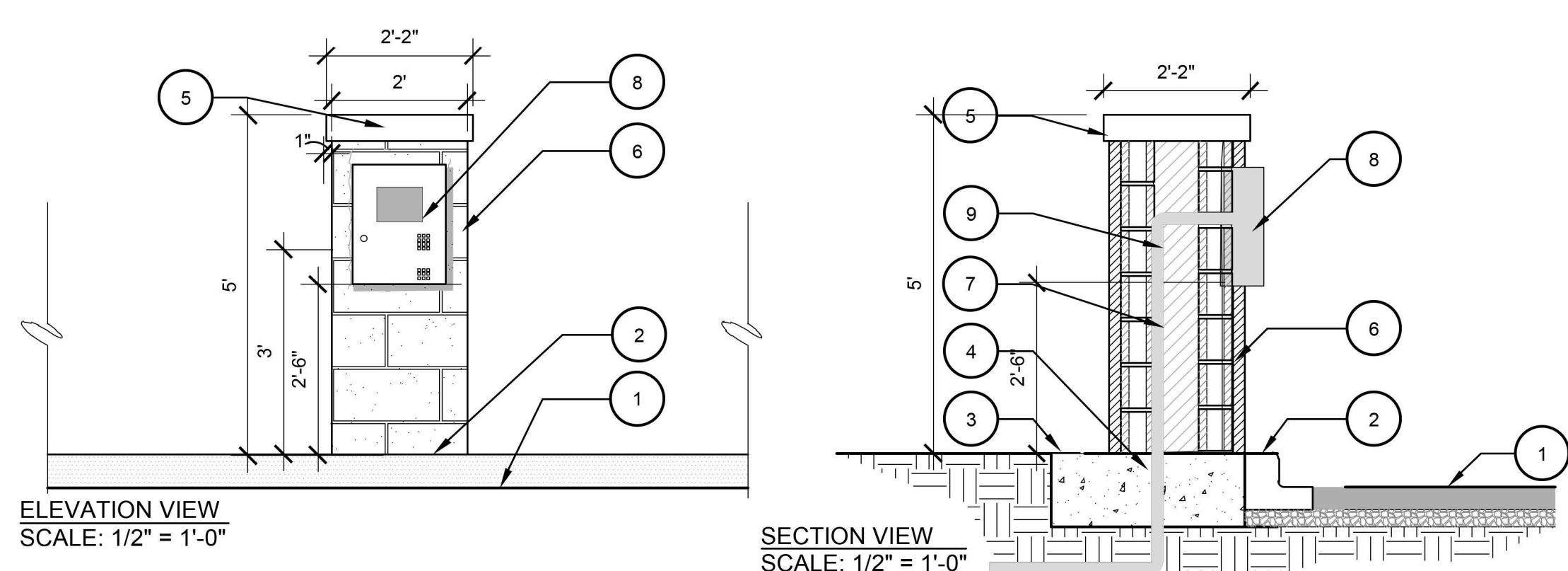
6'-0" HIGH TUBULAR STEEL VIEW FENCE
SCALE: 1/2" = 1'-0"



LEGEND

- | | |
|---|---|
| 1. ADJACENT SPLIT FACE PILASTER | 6. 1" X 4" VERTICAL GATE SLATS |
| 2. STEEL HEAVY DUTY SELF-CLOSING HINGES | 7. METAL GATE |
| 3. 4"X2" THICK STEEL SLIDE FRAME | 8. GATE POST ATTACHED AND IMBEDDED TO STONE CLAD PILASTER |
| 4. 4"X2" THICK STEEL BOTTOM FRAME AND TOP FRAME | 9. CONCRETE FOOTING |
| 5. LOCKABLE PEDESTRIAN HANDLE / LATCH W/ FOB KEY ENTRY GATE | |

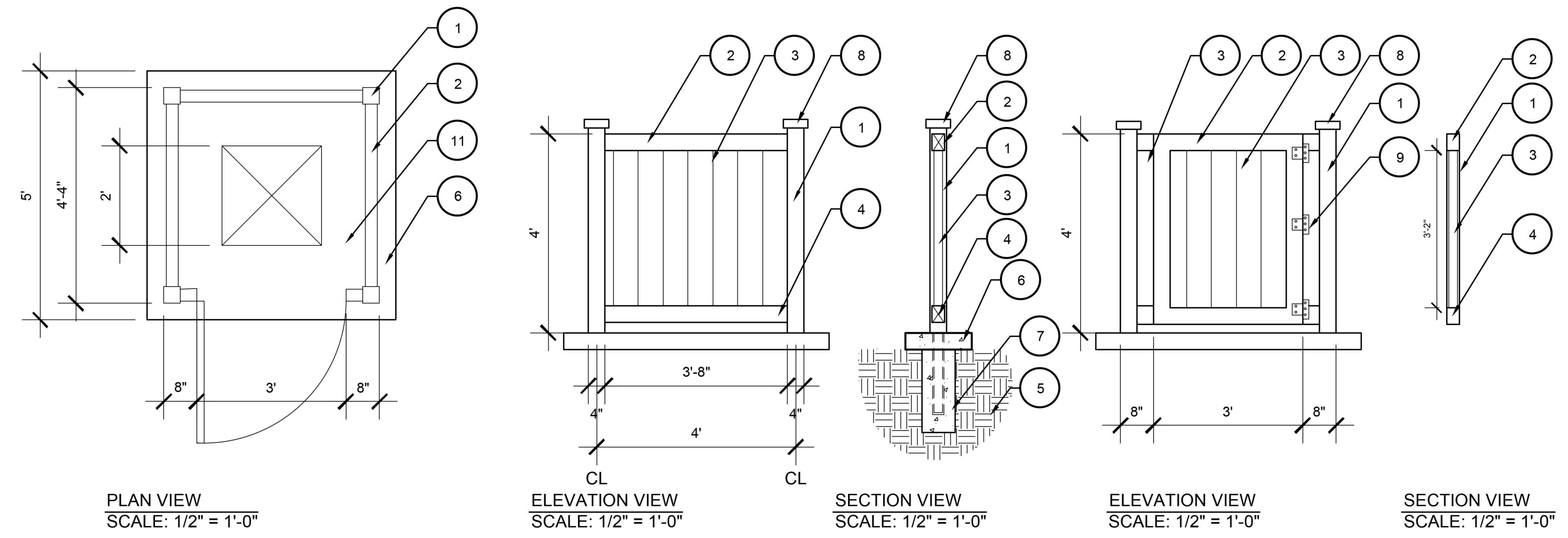
6'-0" HIGH ENHANCED TUBULAR STEEL PEDESTRIAN GATE
SCALE: 1/2" = 1'-0"



LEGEND

- | | |
|-------------------------------|---|
| 1. STREET FINISH SURFACE | 7. CMU BLOCK - GROUT ALL CELLS SOLID |
| 2. STREET CURB FINISH SURFACE | 8. CALL BOX TO BE SELECTED BY OWNER. VERIFY CUTOUT DIMENSIONS AND INSTALL PER MANUFACTURER'S SPECIFICATIONS |
| 3. FINISH GRADE | 9. ELECTRICAL CONDUIT FOR COMMUNICATION CABLE |
| 4. CONCRETE FOOTING | |
| 5. CONCRETE CAP | |
| 6. SPLIT FACE BLOCK | |

5'-0" HIGH SOLID MASONRY ENTRY CALLBOX (SPLIT FACE)
SCALE: 1/2" = 1'-0"



LEGEND

- | | |
|--|----------------------------|
| 1. 4"X4" SQ. VINYL POST | 8. 2"X6" VINYL CHAMFER CAP |
| 2. 3"X4" SQ. TOP RAIL | 9. T-HINGE |
| 3. 3/4"X6" SQ. TONGUE & GROVE | 10. LATCH |
| 4. 3"X4" SQ. BOTTOM RAIL | 11. 65 GAL FOOD WASTE CART |
| 5. COMPACTED SUBGRADE | |
| 6. FINISH SURFACE SINK POST INTO FOOTING | |
| 7. CONCRETE FOOTING | |

65 GAL FOOD WASTE CART VINYL SCREEN FENCE
SCALE: 1/2" = 1'-0"